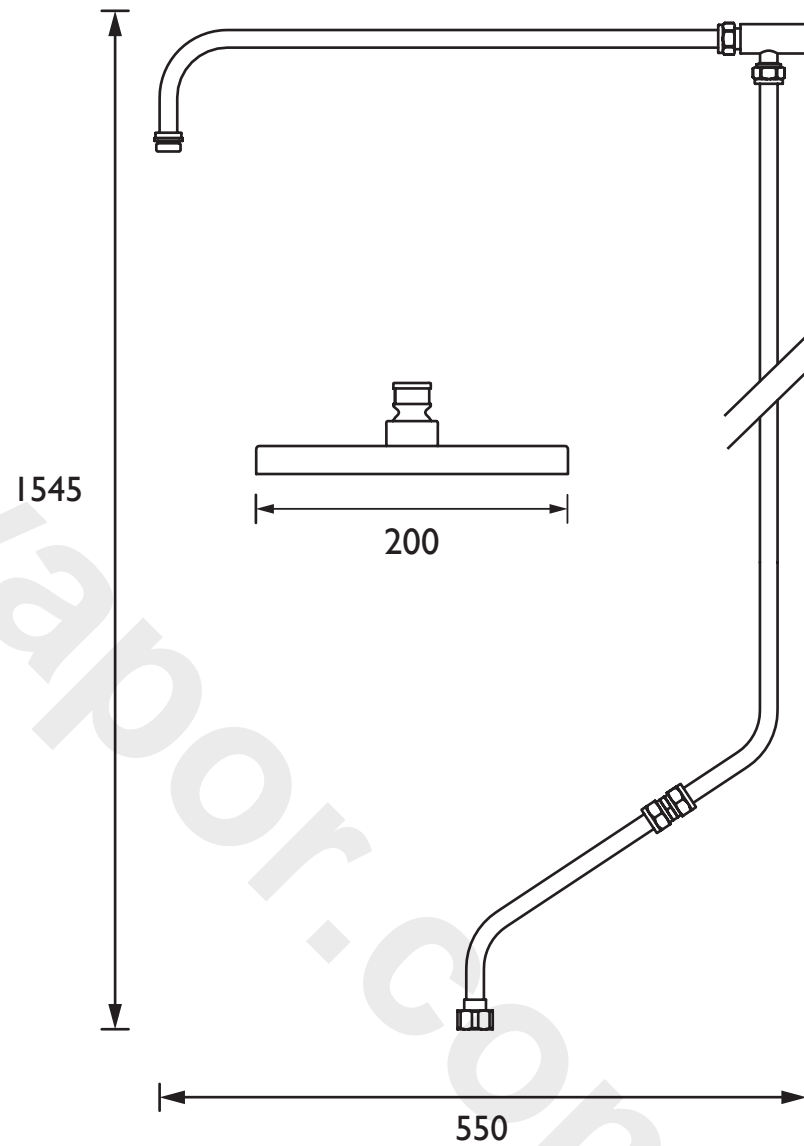
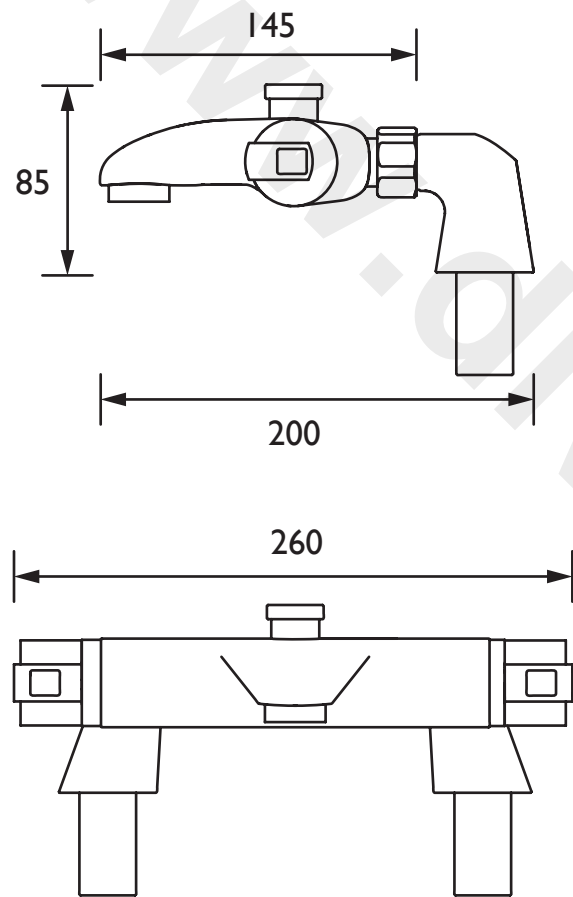


Product Code: AS2 THBSMRR KIT C
Revision: D1



Dimensional Drawing